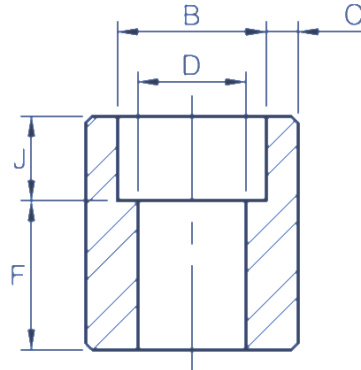


Socket Welding						
Nom. Pipe Size	B	C		D	E	J (Min)
		(Avg)	(Min)			
<b>1/8</b>	10.8	3.18	3.18	6.9	6.5	9.5
<b>1/4</b>	14.2	3.78	3.30	9.3	6.5	9.5
<b>3/8</b>	17.6	4.01	3.50	12.6	6.5	9.5
<b>1/2</b>	21.8	4.67	4.09	15.8	9.5	9.5
<b>3/4</b>	27.2	4.90	4.27	21.0	9.5	12.5
<b>1</b>	33.9	5.69	4.98	26.7	12.5	12.5
<b>1 1/4</b>	42.7	6.07	5.28	35.1	12.5	12.5
<b>1 1/2</b>	48.8	6.35	5.54	40.9	12.5	12.5
<b>2</b>	61.2	6.93	6.04	52.5	19.0	16.0



Socket Welding						
Nom. Pipe Size	B	C		D	F	J (Min)
		(Avg)	(Min)			
<b>1/8</b>	10.8	3.18	3.18	6.9	16.0	9.5
<b>1/4</b>	14.2	3.78	3.30	9.3	16.0	9.5
<b>3/8</b>	17.6	4.01	3.50	12.6	17.5	9.5
<b>1/2</b>	21.8	4.67	4.09	15.8	22.5	9.5
<b>3/4</b>	27.2	4.90	4.27	21.0	24.0	12.5
<b>1</b>	33.9	5.69	4.98	26.7	28.5	12.5
<b>1 1/4</b>	42.7	6.07	5.28	35.1	30.0	12.5
<b>1 1/2</b>	48.8	6.35	5.54	40.9	32.0	12.5
<b>2</b>	61.2	6.93	6.04	52.5	41.0	16.0