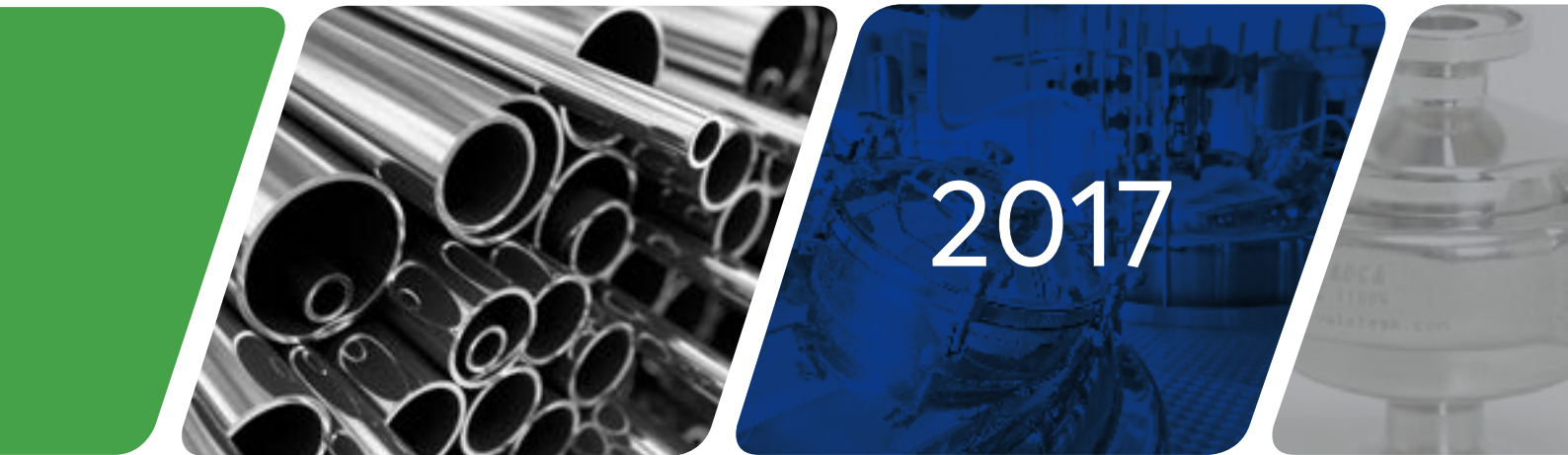




HYGIENIC COMPONENT DIVISION

Product Catalogue



BIOFLO IS A DIVISION OF



// CONTENTS

3	Burkert
6	Adcapture
8	Labom
9	Bioflo
10	Biobore & Gaskets
11	Pipetite

DID YOU KNOW?

Diaphragm valves are a key component of hygienic system design and play an important role in everything from manufacturing efficiency to product quality to utility demand. Cast and forged body diaphragm valves are the standard options here, both of which introduce their own unique benefits but share a number of common weaknesses including: weight, efficiency, ease of installation, carbon footprint and arguably the most critical, thermal mass. Recognizing these challenges and identifying the need for a solution, Burkert has developed **hydroformed tube body diaphragm valves** which will revolutionize the diaphragm valve market and in turn change the way the hygienic industry approaches system and plant design.

[CLICK HERE FOR MORE INFO](#)



bürkert
FLUID CONTROL SYSTEMS

“Flow measurement without sensor elements in the tube! Is that even possible?”

Sure, with FLOWave from Bürkert.

FLOWave flowmeters use patent-ed SAW technology – without any sensor elements or pressure drops in the measurement tube. It’s as hygienic as it gets. The outcome: no maintenance needed and a hassle-free cleaning process. FLOWave is small, light and shines in every mounting position.

A flowmeter delivering precise and reliable measurements independent of the liquid’s conductivity, flow direction and flow rate. Ideal for clean utility applications in pharmaceutical and biotechnology industries.

That’s how flow measurement works today – because hygiene counts.



[CLICK HERE FOR MORE INFO](#)



INSPIRING ANSWERS

Petrochem Pipeline Supply Limited
www.petrochem.ie | sales@petrochem.ie
Tel: +353 (21) 435 1300 | Fax: +353 (21) 435 1166


petrochem
PIPELINE SUPPLY



ACTUATED DIAPHRAGM VALVES

 [CLICK HERE FOR MORE INFO](#)



TANK BOTTOM OUTLET VALVES

 [CLICK HERE FOR MORE INFO](#)



MULTIPOINT DIAPHRAGM VALVE SOLUTIONS

 [CLICK HERE FOR MORE INFO](#)



HYGIENIC CONTROL VALVES

 [CLICK HERE FOR MORE INFO](#)



MANUAL DIAPHRAGM VALVES

 [CLICK HERE FOR MORE INFO](#)



ZERO DEADLEG DIAPHRAGM VALVES

 [CLICK HERE FOR MORE INFO](#)



FLOWAVE HYGIENIC FLOW MEASUREMENT

 [CLICK HERE FOR MORE INFO](#)



HYGIENIC INSTRUMENTATION

 [CLICK HERE FOR MORE INFO](#)



MORE SOLUTIONS ONLINE

<http://www.petrochem.ie/valves-instruments-and-controls/>



MORE SOLUTIONS ONLINE

<http://www.petrochem.ie/valves-instruments-and-controls/>



CLEAN STEAM TRAP - HORIZONTAL INSTALLATION

 [CLICK HERE FOR MORE INFO](#)



CLEAN STEAM TRAP - VERTICAL INSTALLATION

 [CLICK HERE FOR MORE INFO](#)



HYGIENIC VACUUM BREAKERS

 [CLICK HERE FOR MORE INFO](#)



LOW PRESSURE BLANKETING VALVES

 [CLICK HERE FOR MORE INFO](#)



HYGIENIC BALL VALVES - FORGED & CAST

 [CLICK HERE FOR MORE INFO](#)



HYGIENIC CONTROL VALVES

 [CLICK HERE FOR MORE INFO](#)



HYGIENIC PRESSURE REDUCING & SUSTAINING VALVES

 [CLICK HERE FOR MORE INFO](#)



CLEAN STEAM SAMPLING STATIONS

 [CLICK HERE FOR MORE INFO](#)



MORE SOLUTIONS ONLINE

<http://www.petrochem.ie/valves-instruments-and-controls/>



MORE SOLUTIONS ONLINE

<http://www.petrochem.ie/valves-instruments-and-controls/>



CLEAN STEAM HUMIDITY SEPERATORS

[CLICK HERE FOR MORE INFO](#)



HYGIENIC PRESSURE GAUGE WITH DIAPHRAGM SEAL

[CLICK HERE FOR MORE INFO](#)



HYGIENIC PRESSURE INSTRUMENTION

[CLICK HERE FOR MORE INFO](#)



HYGIENIC TEMPERATURE INSTRUMENTION

[CLICK HERE FOR MORE INFO](#)



HYGIENIC RELIEF VALVES

[CLICK HERE FOR MORE INFO](#)



HYGIENIC VIEWING INDICATORS

[CLICK HERE FOR MORE INFO](#)



HYGIENIC NON RETURN VALVES

[CLICK HERE FOR MORE INFO](#)



HYGIENIC BUTTERFLY VALVES

[CLICK HERE FOR MORE INFO](#)



MORE SOLUTIONS ONLINE
<http://www.petrochem.ie/valves-instruments-and-controls/>



MORE SOLUTIONS ONLINE
<http://www.petrochem.ie/valves-instruments-and-controls/>

Mechanically Polished or Electropolished Tube for use in pharmaceutical, semi-conductor, biotechnology and other high purity processes. Our tube is manufactured to the stringent ASME BPE and ASTM A270 S2 standards making it ideal for most high purity applications.

MECHANICALLY POLISHED SF1 FINISH

Guaranteed 0.8um max OD, 0.51um max ID

Our SF1 tubing is fully boroscoped and mechanically polished on both the ID and OD surfaces thus minimizing surface finish anomalies and reducing customer inspection requirements.

ELECTROPOLISHED SF4 FINISH

Guaranteed 0.8um Max OD, 0.38um max ID after EP

Our SF4 tubing gives an ultra-smooth, corrosion resistant, chromium, enriched surface where contaminants cannot hide. This EP tube is processed and packaged in a certified ISO Class 5 clean room - a must for tubing used in high purity environments.



CLICK FOR MORE INFO



RUBBER FAB'S SANITARY GASKETS

SMART GASKETS & CLAMPS

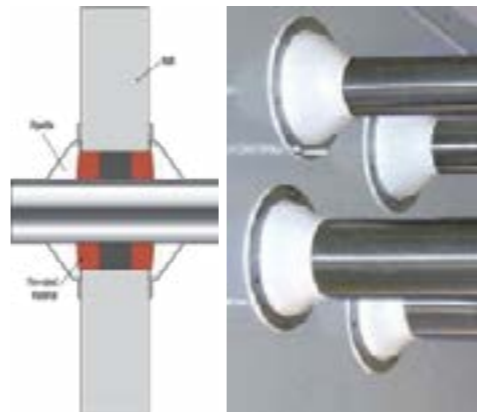
The Rubber Fab Smart Gasket® value is proven when validating sterility in a high-purity pharmaceutical system. A standard sanitary flange utilizing the Smart Gasket, Thermocouple Gasket obtains the critical thermal mapping information needed during the validation process. Meter fluids in your process system using a peristaltic pump or withdraw samples through valve or syringe. Then, utilize Rubber Fab's Spore Trap Gasket to securely retain spore test strips. These gaskets can be supplied in KFM (Viton) and Silicon.



AVAILABLE SIZES:
1/2" - 4" (excluding 2-1/2")

AVAILABLE PORTS:
Thermocouple Gasket: 1-4 ports
Spore Trap Gasket: 1 port

"A NEW APPROACH TO AN OLD PROBLEM"



Pipetite® forms a flexible, sanitary seal that allows for pipeline movement. Its self-sealing design and flexibility eliminate the headaches that come with metal wall plates. Pipetite Standard is ideal for new tubing installations where the boot can slide over the end of tubing before it is installed.



Pipetite PIPE in PIPE can seal a tube-in-tube transition while allowing for movement of the pipe.



Pipetite ReBoot is designed specifically for easy installation around existing piping. Its split design allows the installer to wrap the boot around existing piping then to seal it closed.



Pipetite Flat was designed for jacketed tank installations, although its applications are endless. It allows you to fit a Pipetite wall boot in spaces where a Pipetite Standard is too tall.

RUBBER FAB'S SANITARY GASKETS

ORIFICE PLATES

Our innovative Orifice Plate line includes a complete selection of solid 316L Stainless Steel, in standard or tabbed TC and vertical styles, that can be custom drilled with an eccentric or concentric bore. Tabs help to acknowledge that an orifice plate is "in line" and can be laser engraved to indicate the hole diameter, gasket size or user specified information.

SCREENS

Rubber Fab's Fluid filtration screen gaskets provide the most comprehensive range of stainless steel mesh and filter cloth which provide for particulate elimination to protect fill and finish sterile products, spray balls and spray nozzles.

TUF-FLEX

Tuf-Flex®, the ultimate pharmaceutical sanitary gasket, is setting new standards for purity, performance, flexibility and is the world's first unitized gasket. A Tuf-Flex® gasket's contact surface is PTFE unitized to an EPDM rubber inner core.

AVAILABLE ELASTOMERS:
EPDM, FKM Fluoroelastomer, Silicone, Buna*

AVAILABLE FLUOROPOLYMERS:
PTFE, Tuf-Steel®

TUF-STEEL the original metal detectable and x-ray inspectable gasket, unique proprietary blend of non-pigmented PTFE and 316L passivated and atomized stainless steel. Tuf-Steel® is ideal for sanitary steam and extreme temperature processes.



CLICK FOR MORE INFO



BIOFLO IS A DIVISION OF PETROCHEM

CORK

Unit 31,
Euro Business Park,
Little Island,
Co. Cork.

Email: sales@petrochem.ie
Tel: +353 21 4351300

MEATH

Europa House,
Dunboyne Business Park,
Dunboyne,
Co. Meath.

Email: dunboyne@petrochem.ie
Tel: +353 1 8026020

www.petrochem.ie